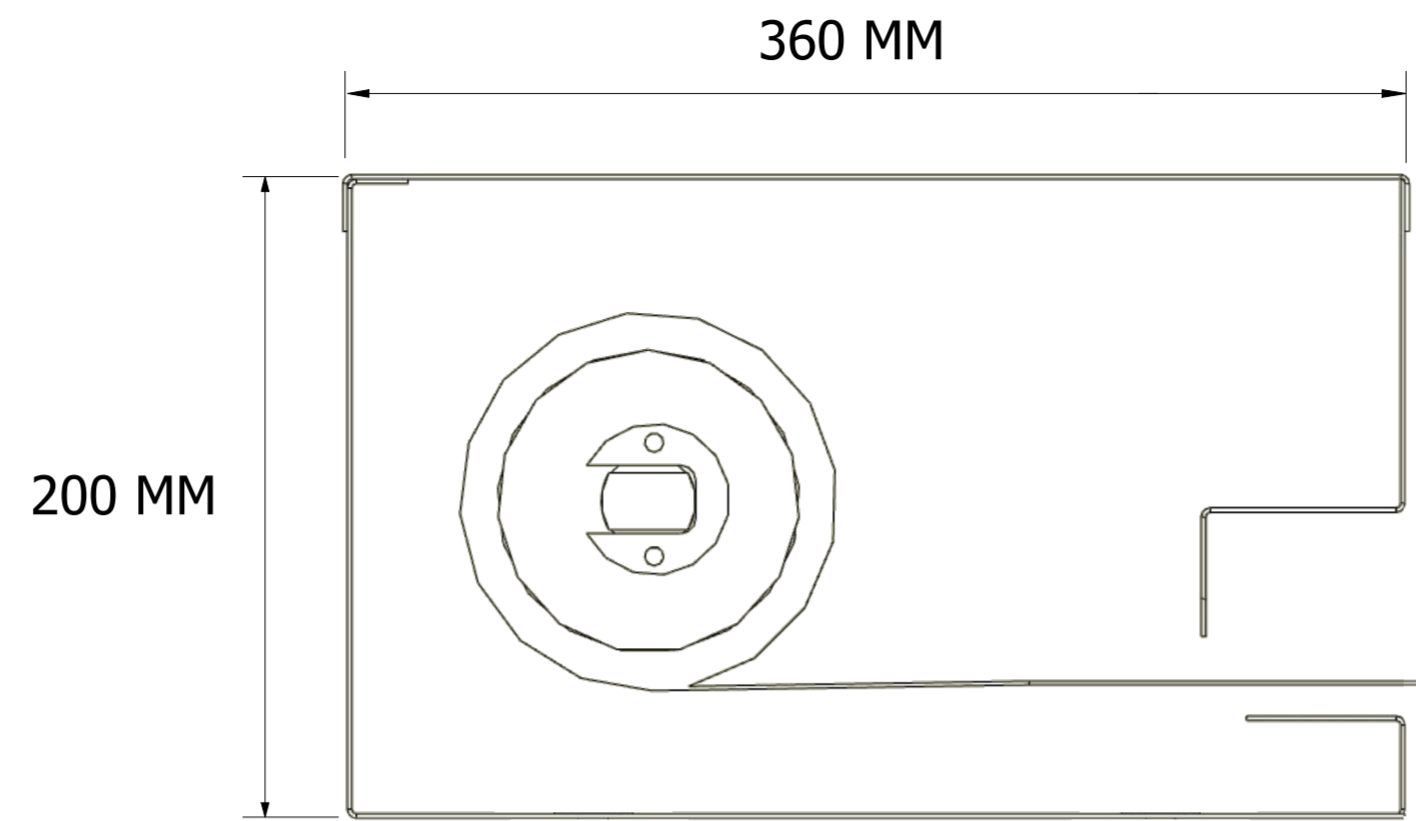
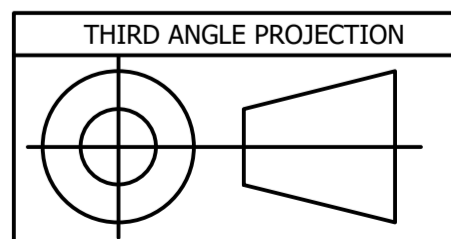
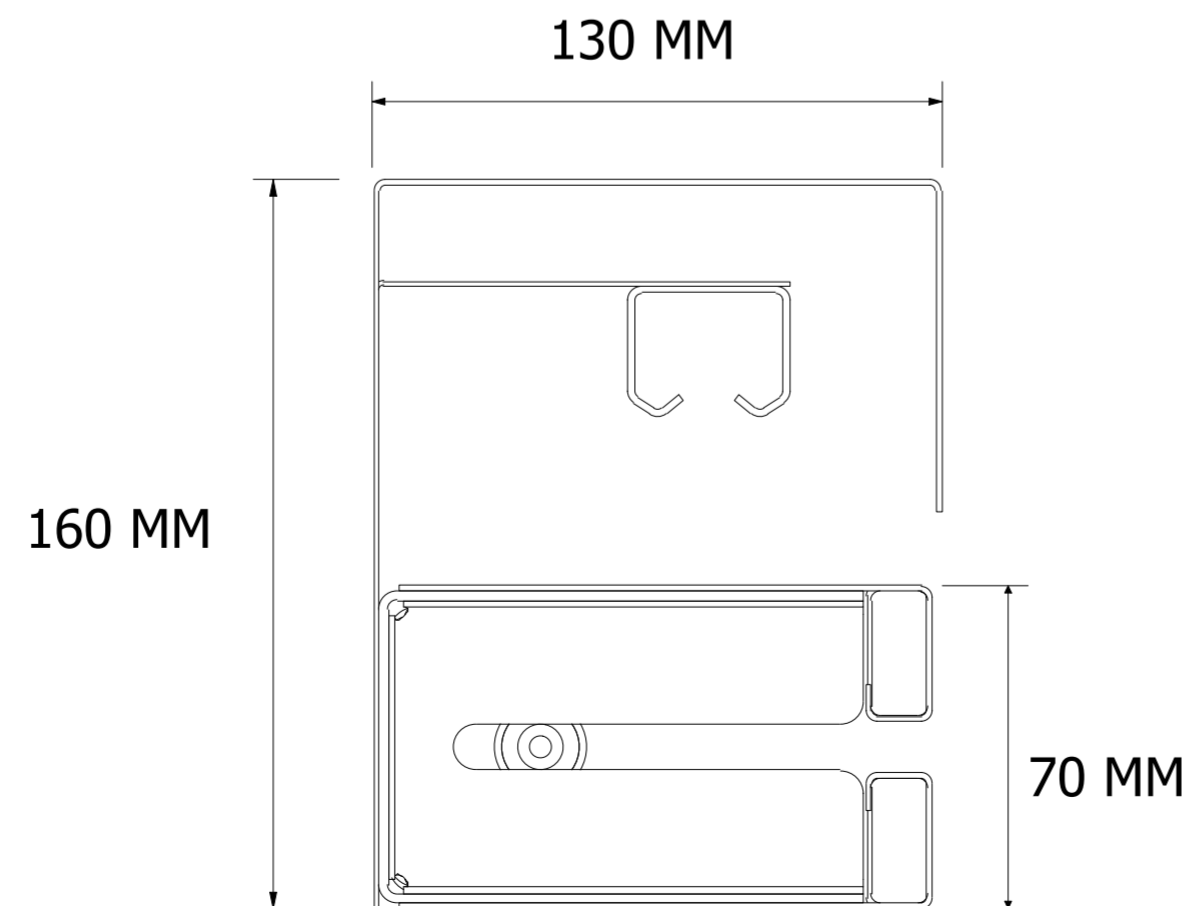
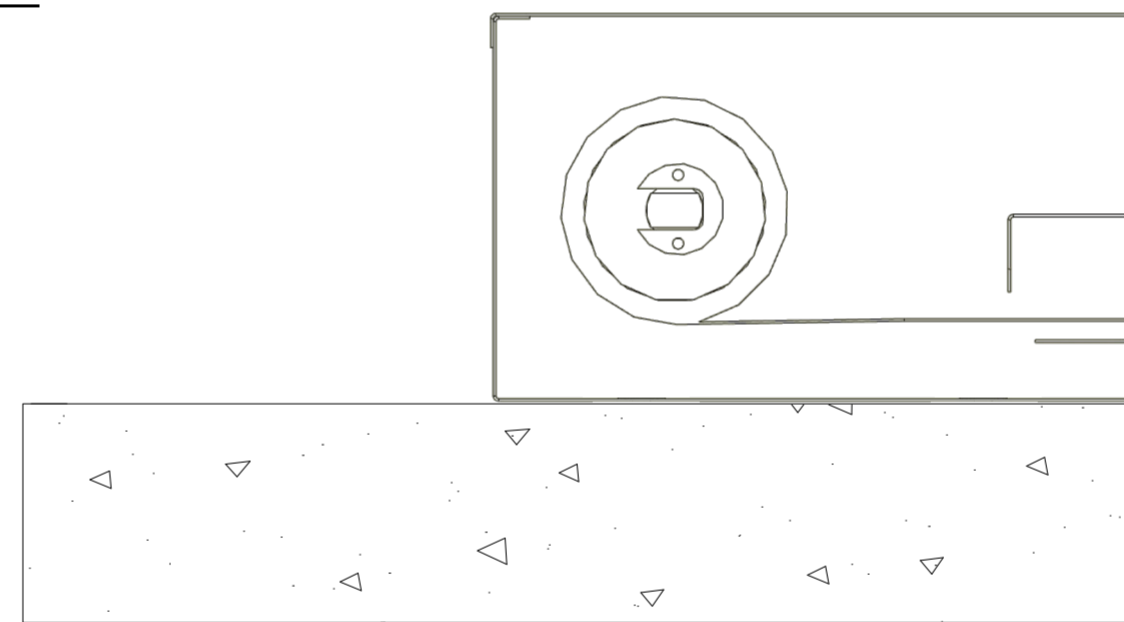
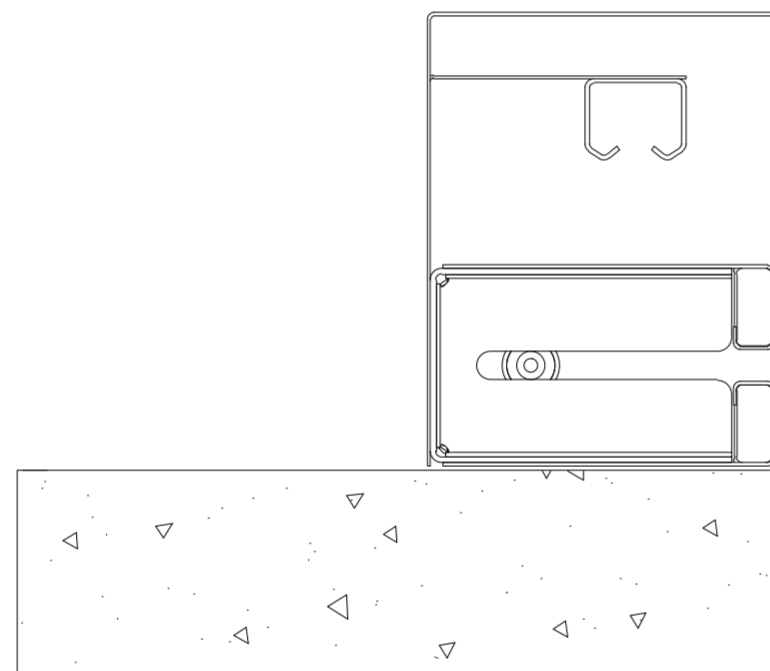


ADEXON-HFC I20E



FACE FIXED



CUBEX (UK) Ltd Complete Copyright © Copyright in this drawing subsides with Cubex (UK) Ltd. No reproduction may be made without written permission. It is issued subject to the condition that neither the drawing or any reproduction or any particulars of it shall be made or transferred to any third party without such permission.		ADEXON Head Office. Prospect House, Hutyon Church Road, Liverpool, L36 5SH.		Created By JN	Checked By TB	Scale N/A	Tolerance Unless Stated ± 0.5mm ALL MEASUREMENTS IN mm UNLESS OTHERWISE STATED
By issuing this drawing CUBEX (UK) Ltd are not necessarily accepting any contract or terms of contract or entering into any contract that may still be under consideration and/or negotiation.		T: +44 (0)151 422 9111 E: admin@adexon-uk.com W: www.adexon-uk.com		Drawing Title		000-000	
Rev. 01	Designed Date 16/12/2022	Size A2	Sheet 1				